

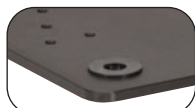
Vibration-Damping Instrument Shelf

Our S913A small instrumentation shelf measures 9" x 13" and features damping pads at each corner to decouple an instrument's vibration from an optical table. Each shelf features an array of mounting holes in three locations for post mounting.

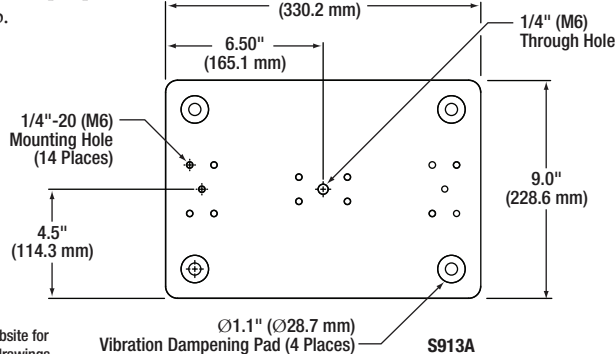
The S913B isolation plate also measures 9" x 13" but does not have any holes or damping pads. It is meant to be used in combination with an S913A and sorbothane sheets (featured below) to further reduce larger vibrations. Simply place the sorbothane sheets on top of the S913A and lay the S913B on top.

S913A(M) Features

- 9" x 13" Mounting Surface
- Damping Pads at Each Corner
- Center-Located 1/4" (M6) Through Hole for Post Mounting
- 1/4"-20 (M6) Mounting Holes in 14 Places



The image above shows one of the bottom-located damping pads for vibration isolation.

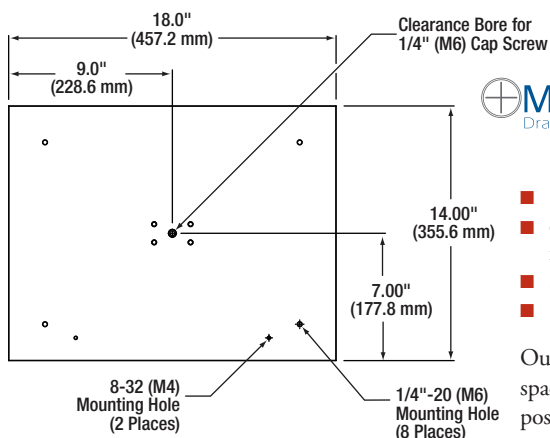


Vibration-Damping Instrument Shelf

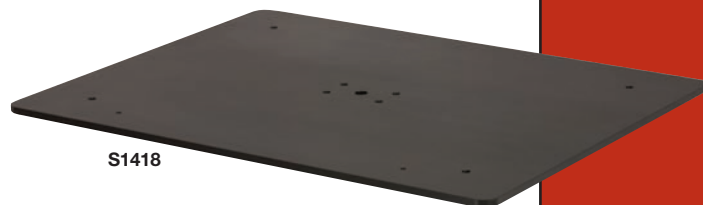
Please refer to our website for complete models and drawings.

ITEM #	METRIC ITEM #	\$	£	€	RMB	DESCRIPTION
S913A	S913A/M	\$ 62.00	£ 44.64	€ 53,94	¥ 494.14	9" x 13" Instrumentation Shelf
S913B	S913B	\$ 50.70	£ 36.50	€ 44,11	¥ 404.08	9" x 13" Isolation Plate

Large Instrument Shelf



- 14" x 18" Mounting Surface
- Center-Located 1/4" (M6) Through Hole for Post Mounting
- 8-32 (M4) Mounting Holes in 2 Places
- 1/4"-20 (M6) Mounting Holes in 8 Places



Bottom View
Post Not Included



Our large instrumentation shelf measures 14" x 18" and is ideal for gaining table space by elevating large instruments. A center-located 1/4"-20 (M6) tap allows for post mounting. Alternatively, the shelf also features 1/4"-20 (M6) taps at each corner for post mounting heavier, off-balance instruments.

Large Instrumentation Shelf

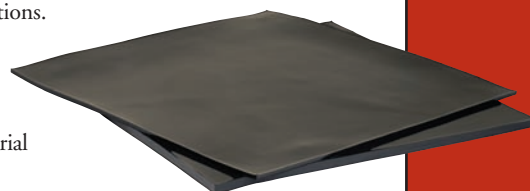
ITEM #	METRIC ITEM #	\$	£	€	RMB	DESCRIPTION
S1418	S1418/M	\$ 89.00	£ 64.08	€ 77,43	¥ 709.33	14" x 18" Instrumentation Shelf

Sorbothane Sheets

These pliable Sorbothane Sheets are ideal for isolating mechanical noise or vibrations. The substrate absorbs up to 95.5% of impact energy and then reforms to its original shape. The 1/8" or 1/4" thick sheets can be placed under your breadboard in single or stacked layers to counter the effects of uneven work surfaces or to isolate your breadboard from vibrations. For objects over 5 lbs, the 1/4" thick sheets are recommended. The Sorbothane sheet may be hand-cut, die-cut, or kiss-cut to suit your applications.

Features

- 12" x 12" Sheet
- 1/8" or 1/4" Thick
- Easy to Cut and Shape for Multiple Uses
- Hardness: 70 Durometer (Type A)
- Absorbs up to 95.5% of Impact Energy
- Can be used as Vibration-Isolation Material
- Ideal for use with Our MB Series of Aluminum Breadboards



Sorbothane Sheets

ITEM #	\$	£	€	RMB	DESCRIPTION
SB12A	\$ 26.00	£ 18.72	€ 22,62	¥ 207.22	Sorbothane Sheet, 12" x 12" x 1/8", 70 Durometer
SB12B	\$ 52.00	£ 37.44	€ 45,24	¥ 414.44	Sorbothane Sheet, 12" x 12" x 1/4", 70 Durometer