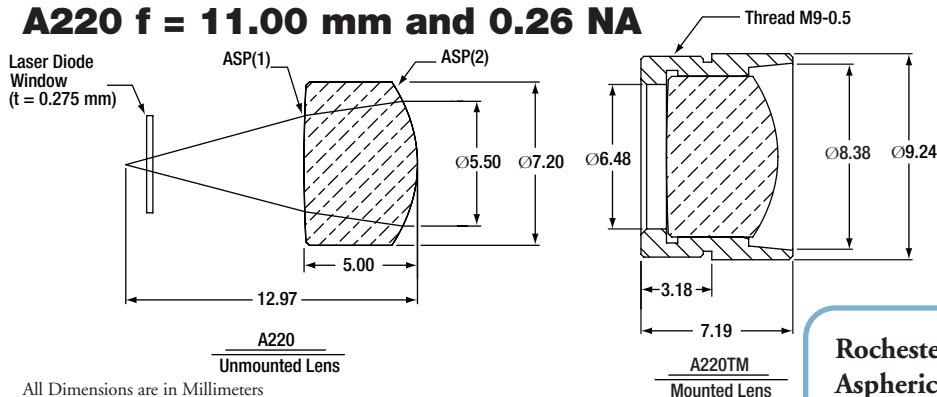


A220 f = 11.00 mm and 0.26 NA



All Dimensions are in Millimeters
Laser Diode Window Not Included
Please refer to our website for complete models and drawings.

Aspheric Coefficients

	R	k	A_4	A_6	A_8	A_{10}	A_{12}
ASP (1)	72.47	-	-	-	-	-	-
ASP (2)	-5.97	-	3.383558E-04	1.305390E-05	-1.098250E-06	1.374268E-07	-5.49559E-09

Unmounted, AR-Coated Aspheric Lenses

ITEM #	\$	£	€	RMB	DESCRIPTION
A220	\$ 77.00	£ 55.44	€ 66.99	¥ 613.69	Lens, Uncoated
A220-A	\$ 82.00	£ 59.04	€ 71.34	¥ 653.54	Lens, AR-Coated: 350 – 700 nm
A220-B	\$ 82.00	£ 59.04	€ 71.34	¥ 653.54	Lens, AR-Coated: 650 – 1050 nm

Mounted, AR-Coated Aspheric Lenses

ITEM #	\$	£	€	RMB	DESCRIPTION
A220TM	\$ 82.00	£ 59.04	€ 71.34	¥ 653.54	Mounted Lens, Uncoated
A220TM-A	\$ 87.00	£ 62.64	€ 75.69	¥ 693.39	Mounted Lens, AR-Coated: 350 – 700 nm
A220TM-B	\$ 87.00	£ 62.64	€ 75.69	¥ 693.39	Mounted Lens, AR-Coated: 650 – 1050 nm

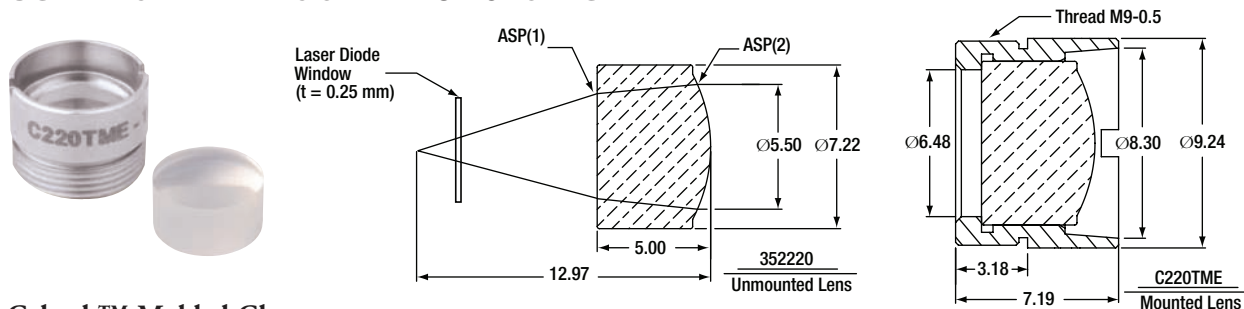
Rochester Precision Molded Glass Aspheric Lens

Optical Design Specifications

- Design Wavelength: 633 nm
- Numerical Aperture: 0.26
- Clear Aperture: $\varnothing 5.50$ mm
- Effective Focal Length: 11.00 mm
- Unmounted Working Distance: 7.97 mm
- Mounted Working Distance: 6.91 mm
- Magnification: Infinite
- Laser Window Thickness: 0.275 mm
- Laser Window Material/Index: N-BK7/1.516 @ 633 nm
- Diffraction-Limited Range: 365 – 1095 nm
- Surface Quality: 40-20 Scratch-Dig
- Glass (CDGM): D-K59

*Wavefront error is averaged over clear aperture

352220 f = 11.00 mm and 0.25 NA



All Dimensions are in Millimeters
Laser Diode Window Not Included

Geotech™ Molded Glass Aspheric Lens

Optical Design Specifications

- Design Wavelength: 633 nm
- Numerical Aperture: 0.25
- Clear Aperture: $\varnothing 5.50$ mm
- Effective Focal Length: 11.00 mm
- Unmounted Working Distance: 7.97 mm
- Mounted Working Distance: 6.83 mm
- Magnification: Infinite
- Laser Window Thickness: 0.25 mm
- Laser Window Material/Index: N-BK7/1.516 @ 633 nm
- Diffraction-Limited Range: 365 – 2055 nm
- Surface Quality: 40-20 Scratch-Dig
- Glass: ECO-550

Geotech™ lenses are manufactured by LightPath® Technologies

Aspheric Coefficients

	R	k	A_4	A_6	A_8	A_{10}
ASP (1)	-	-	-	-	-	-
ASP (2)	-6.64	-0.5500112	-2.6715670E-06	4.1960626E-07	-	-

Unmounted, AR-Coated Aspheric Lenses

ITEM #	\$	£	€	RMB	DESCRIPTION
352220-A	\$ 74.00	£ 53.28	€ 64.38	¥ 589.78	Lens, AR-Coated: 400 – 600 nm
352220-B	\$ 74.00	£ 53.28	€ 64.38	¥ 589.78	Lens, AR-Coated: 600 – 1050 nm
352220-C	\$ 74.00	£ 53.28	€ 64.38	¥ 589.78	Lens, AR-Coated: 1050 – 1620 nm
352220-1064	\$ 78.00	£ 56.16	€ 67.86	¥ 621.66	Lens, AR-Coated: 1054 – 1074 nm

Mounted, AR-Coated Aspheric Lenses

ITEM #	\$	£	€	RMB	DESCRIPTION
C220TME-A	\$ 79.00	£ 56.88	€ 68.73	¥ 629.63	Mounted Lens, AR-Coated: 400 – 600 nm
C220TME-B	\$ 79.00	£ 56.88	€ 68.73	¥ 629.63	Mounted Lens, AR-Coated: 600 – 1050 nm
C220TME-C	\$ 79.00	£ 56.88	€ 68.73	¥ 629.63	Mounted Lens, AR-Coated: 1050 – 1620 nm
C220TME-1064	\$ 84.00	£ 60.48	€ 73.08	¥ 669.48	Mounted Lens, AR-Coated: 1054 – 1074 nm

AR Coating Plots Page 717

1064 nm V-Coating

1064 nm V-Coating